



PAR 30 LED



Available in black and white casing

Reduced energy consumption up to 76%. Lasts up to 20 times longer than halogen lamps. Lower maintenance costs. Will not cause fading or damage. Suitable for use in enclosed fixtures where ambient temperature is between -4°F (-20°C) and 113°F (45°C). *Consult your Promolux supplier for custom solutions tailored to your specific requirements.*

Specifications

- Superior Thermal Management
- Beam Angle: 25° (35W)
- Beam Angle: 30° (20W)
- E27 Base
- LED Source: SMD3030 (35W)
- LED Source: COB (20W)
- Power Factor: >0.95
- Instant full light output & stable color
- High Brightness/ >82 CRI
- High R9 & R12 Values
- Material: Die Cast Aluminum Heat Sink
- IP44

Ideal for:

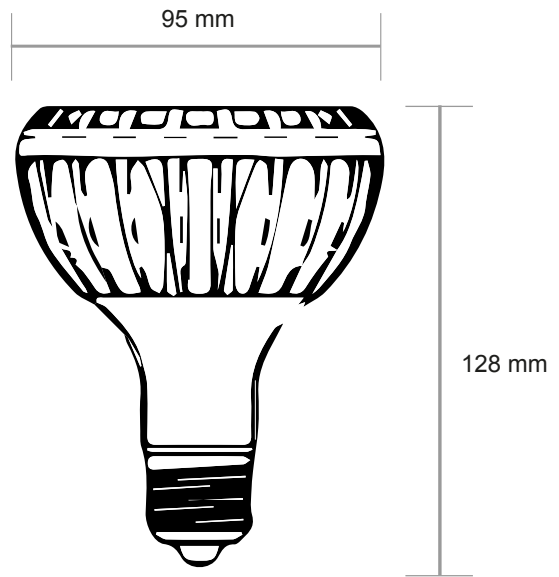
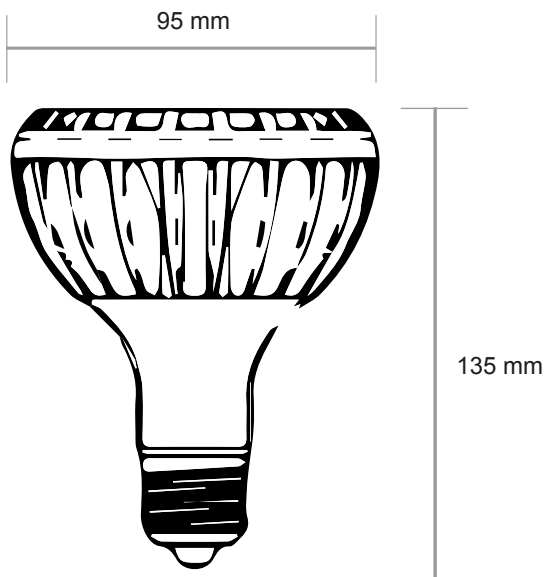
Supermarkets, Grocery Stores, Convenience Stores, Delicatessens, & Restaurants as Accent, Spot, Task, Track & Recessed Lighting

Operating Conditions

Operating Temperature:
-4°F (-20°C) and 113°F (45°C)
Working Voltage:
AC 85-265V, 50-60Hz



Light Bulb Dimensions



Model Number	Watts	Lumens	Lumens per Watt	Color	Finish
PAR30-PL-35W-BLK	35	3850	110	Platinum	Black
PAR30-PL-35W-WHT	35	3850	110	Platinum	White
PAR30-PL-20W-BLK	20	2200	110	Platinum	Black
PAR30-PL-20W-WHT	20	2200	110	Platinum	White

Specifications subject to change without notice. Contact us for more information.