

# TRI-PROOF LED

Built-in Driver / Universal Line Voltage



## TUBE SERIES

Specifically for Walk-in Coolers & Freezers and Refrigerated Floral Boxes



## SPECIFICATIONS

- Length: 4ft
- Power: 40W
- Fixture Dimension: 47" x 2" x 2"
- Input Voltage: AC100-277V, 50/60HZ
- Direct AC Power
- Power Factor: > 0.95
- Working Temperature: -13°F to -113°F, -25°C to -45°C
- CRI>80
- Colors: 6000K, Platinum



## CONNECTION OPTIONS

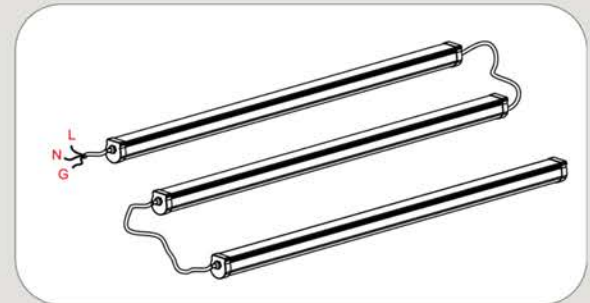
### 1. Single-Ended Power Input

Direct connection from one end for fast, simple installation.



### 2. Continuous Linking

Connect multiple fixtures in tandem for seamless, extended runs.



## TECHNICAL DATA SPECS Available Color Formulas: Platinum (PL), 6000K (60)

SIZE	MODEL #	COLORS	WATTS	LENGTH (mm) (Nominal)	LENGTH (in) (Nominal)	LUMENS	LUMENS PER WATT
4 ft	PL60-LBP-1200N-40W	6000K	40	1200	47	4800	120
4 ft	PL-LBP-1200N-40W	Platinum	40	1200	47	4200	105

Specifications subject to color/kelvin chosen. Specifications subject to change without notice; contact us for more information.

# ACCESSORIES

## Included

Tri•Proof Quick Clips



## Dimensions

4ft  
47" x 2" x 2"  
1200mm x 50mm x 54mm



## The Ideal Overhead Light Source for:

### 6000K:

- Walk-in Coolers & Freezers In Supermarkets
- Convenience Stores & Liquor Stores
- Beer Caves

### Platinum:

- Grading & Processing Facilities
- Other Cold Storage Rooms



## INSTALLATION

- 01 Mount Clips**  
Secure Quick Clips to ceiling or wall surface.



- 02 Attach Fixture**  
Snap luminaire into clips for a secure hold. Built-in driver requires no external components.

- 03 Connect Power**  
Wire direct AC line voltage (100–277V). Link additional fixtures for continuous runs if needed.

## Exploded View

