

S3 Service Case LED

Suspended Linear Fixture



A high-performance suspended LED linear fixture with a round lens, featuring linkable units and a new 3-angle LED configuration. It provides a 140° beam angle through advanced triple-sided emitting technology, ensuring superior down-lighting performance.

Three-Angle LED Fixture: Innovative design with 3 embedded LED strips for expansive illumination.

Energy-Efficient: Engineered for high performance and reduced energy consumption.

Specifications

- CRI: > 80
- Power Factor: > 0.95
- Input Voltage: 24V AC (External Driver Required)
- Sizes: 600mm, 900mm, 1200mm, 1500mm
- Colors: Platinum

Ideal for:

Service Cases

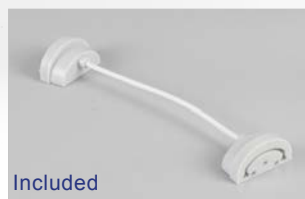


Linkable Units

Easily connect multiple units for extended coverage.



Accessories



Mounting Options:



Suspension installation



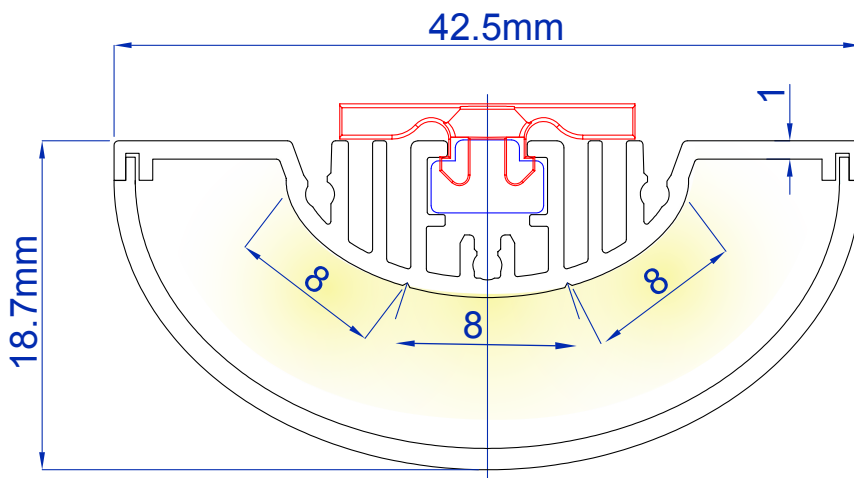
Clip installation



Magnet Installation



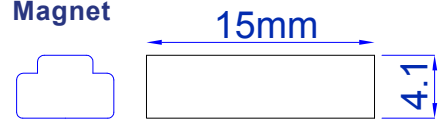
Dimensions:



Round Lens:
Delivers a wide beam angle of 140°, ideal for broad area lighting.



Magnet



Size	Model number	Watts	Length (mm)	Length (inches)	Lumens	Lumens per watt	Color
2 ft	S3-PL-600	15	600	24	1290	100	Platinum
3 ft	S3-PL-900	21	900	36	1950	100	Platinum
4 ft	S3-PL-1200	27	1200	48	2700	100	Platinum
5 ft	S3-PL-1500	33	1500	60	3300	100	Platinum

Specifications subject to change without notice. Contact us for more information.