



## SLIMLINE EDGE BAR LED

Works with 24V Constant Voltage LED Driver (sold separately)



The new Promolux Slimline Edge Bar LED is easy to install on metal shelves for retail display applications in supermarkets, specialty food and beverage shops, conveniences stores, and more.

The lens provides 120° beam spread for focused illumination on merchandise displayed on shelves and in open display cabinets, horizontal or vertical. It has strong magnet plates fastened to the back of the lamp's aluminum profile, and options of fixed angle mounting clips include 0°, 30°, 45°, and 60°.

With special proprietary chip colors, these LEDs are ideal for display applications where color is critical in retail merchandising, food service, and specialty displays. Available in various lengths and wattages.

The new Edge bar provides balanced light distribution with bright, even linear lighting for reduced glare and minimal reflective flash. *Consult with your Promolux lighting supplier for the best options and specific requirements.*

### Specifications

- Connectable in a Series up to 150W
- IP65
- 120° Beam Angle
- CRI: > 80
- High R9 & R12 Values
- Power Factor: > 0.9
- Rated Life: 50,000 hrs
- Voltage Input: 24V
- Chips: 2835
- Color: Platinum, Premium White, 4000K and others.

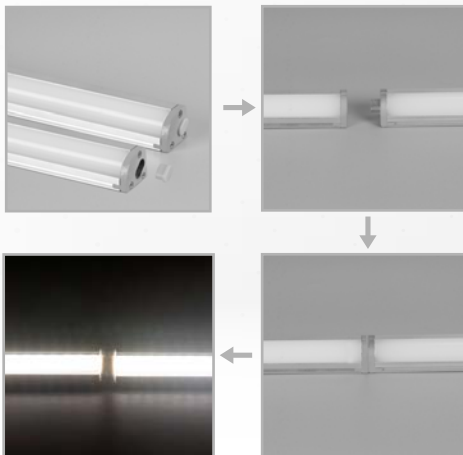
### Ideal for:

- Service & Multi-Deck:
- Meat / Seafood
- Dairy
- Deli & Prepared Foods
- Floral
- Produce
- Bakery
- Salad Bars
- Ice Cream/Gelato

### Connections:

The LED Light Bar can be connected to another light bar: (1) directly by the DC connector on both ends of the bar, (2) by the connector cable, (3) by the Promolux LED Driver.

#### (1) LED to LED



#### (2) Using the connector cable / jumper cable



#### (3) Easy Connection to Promolux LED Driver (sold separately)

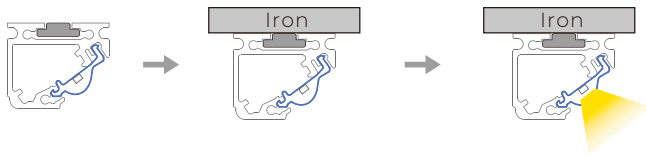


Size	Model number	Watts	Color	Type	Voltage (Constant V)	Nominal Length (mm)	Nominal Length (inches)	Lumens (L)	Lumens per Watt
3ft	SBE-PL-34C	10.1	Platinum	Full Brightness	24	858	34	1010	100
3ft	SBE-PL-34S	5.8	Platinum	60% Brightness	24	858	34	600	100
4ft	SBE-PL-46C	13.8	Platinum	Full Brightness	24	1158	46	1380	100
4ft	SBE-PL-46S	7.5	Platinum	60% Brightness	24	1158	46	750	100
3ft	SBE-PW-34C	10.1	Prem. White	Full Brightness	24	858	34	1010	100
3ft	SBE-PW-34S	5.8	Prem. White	60% Brightness	24	858	34	600	100
4ft	SBE-PW-46C	13.8	Prem. White	Full Brightness	24	1158	46	1380	100
4ft	SBE-PW-46S	7.5	Prem. White	60% Brightness	24	1158	46	750	100
3ft	SBE-40-34C	10.1	4000K	Full Brightness	24	858	34	720	100
3ft	SBE-40-34S	5.8	4000K	60% Brightness	24	858	34	600	100
4ft	SBE-40-46C	13.8	4000K	Full Brightness	24	1158	46	1212	100
4ft	SBE-40-46S	7.5	4000K	60% Brightness	24	1158	46	1656	100

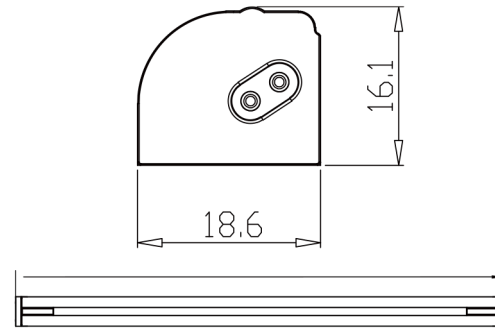
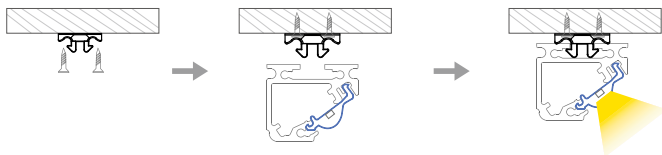
**Installation:**

**Dimensions:**

**1- With the magnet**



**2- With the mounting clip**



Silicon end cap (included)



Special angular mounting bracket with strong magnet can be clipped on to the back of the light bar, so the LED light bar is adjustable. The mounting bracket can be fixed by screws or magnet.  
4 mounting brackets total: 0°, 30°, 45°, 60°

**0° mounting brackets**



**30° mounting brackets**



**45° mounting brackets**



**60° mounting brackets**

