



SLIMLINE LED EDGE LIGHT BAR

The new Promolux Slimline Linear LED Edge Bar lamp is easy to install on metal shelves for retail display applications in supermarkets, specialty food and beverage shops, conveniences stores, and more.

The Edge lens provides 120° beam spread for focused illumination on merchandise displayed on shelves and in open display cabinets, horizontal or vertical.

The LED Bar has strong magnet plates fastened to the back of the lamp's aluminum profile, and options of fixed angle mounting clips include 0°, 30°, 45°, and 60°.

The LED Edge Bar is available in various lengths and wattages. Options to connect Bar-to-Bar include end-pin connectors or extension cable cords, and connectors for 24V external drivers.

With special proprietary chip colors, these LED lamps are ideal for display applications where color is critical in retail merchandising, food service, and specialty displays.

The new Edge bar provides balanced light distribution with bright, even linear lighting for reduced glare and minimal reflective flash.

Consult with your Promolux lighting supplier for the best options and specific requirements.

Specifications

- Connectable in a Series up to 150W
- IP65
- 120° Beam Angle
- CRI: > 80
- High R9 & R12 Values
- Power Factor: > 0.9
- Rated Life: 50,000 hrs
- Voltage Input: 24V
- Chips: 2835
- Color: Platinum, Premium White, 4000K and others.

Ideal for:

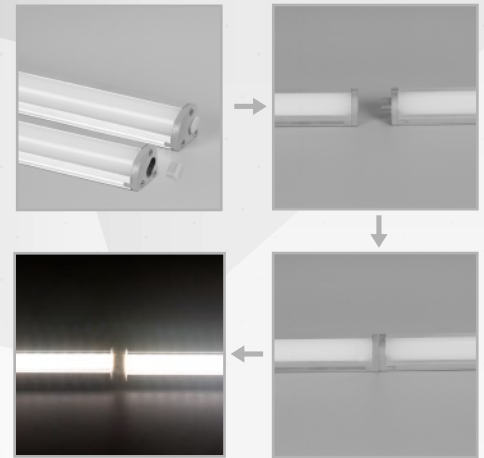
Service & Multi-Deck:
Meat / Seafood
Dairy
Deli & Prepared Foods
Floral
Produce
Bakery
Salad Bars
Ice Cream/Gelato



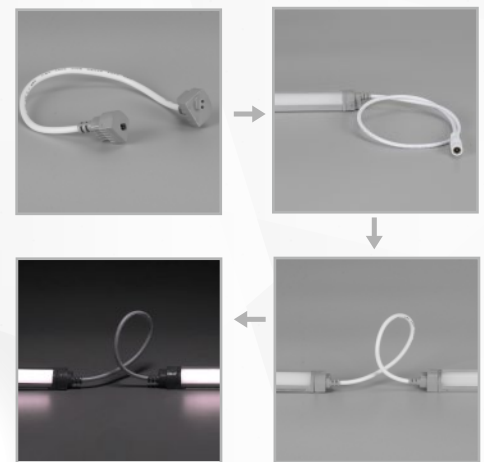
Connections:

The LED Light Bar can be connected to another light bar directly by the DC connector on both ends of the bar or by the extension cable.

1- By the DC connector



2- By the extension cable



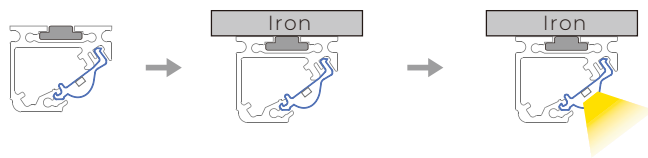
SLIMLINE LED EDGE LIGHT BAR

PAE2307 SlimlineEdge

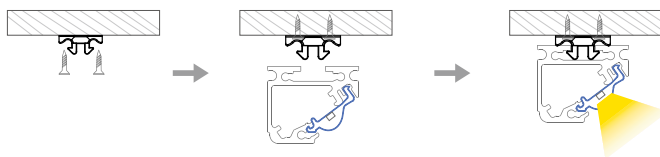
Size	Model number	Watts	Color	Type	Voltage (Constant V)	Nominal Length (mm)	Nominal Length (inches)	Lumens (L)	Lumens per Watt
3ft	SBE-PL-34C	10.1	Platinum	Full Wattage	24	858	34	1010	100
3ft	SBE-PL-34S	5.8	Platinum	Half Wattage	24	858	34	600	100
4ft	SBE-PL-46C	13.8	Platinum	Full Wattage	24	1158	46	1380	100
4ft	SBE-PL-46S	7.5	Platinum	Half Wattage	24	1158	46	750	100
3ft	SBE-PW-34C	10.1	Prem. White	Full Wattage	24	858	34	1010	100
3ft	SBE-PW-34S	5.8	Prem. White	Half Wattage	24	858	34	600	100
4ft	SBE-PW-46C	13.8	Prem. White	Full Wattage	24	1158	46	1380	100
4ft	SBE-PW-46S	7.5	Prem. White	Half Wattage	24	1158	46	750	100
3ft	SBE-40-34C	10.1	4000K	Full Wattage	24	858	34	720	100
3ft	SBE-40-34S	5.8	4000K	Half Wattage	24	858	34	600	100
4ft	SBE-40-46C	13.8	4000K	Full Wattage	24	1158	46	1212	100
4ft	SBE-40-46S	7.5	4000K	Half Wattage	24	1158	46	1656	100

Installation:

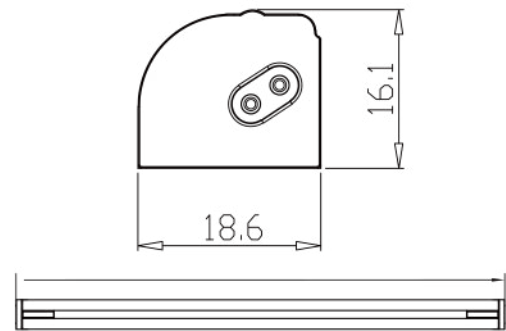
1- With the magnet



2- With the mounting clip



Dimensions:



**Special angular mounting bracket with strong magnet can be clipped on to the back of the light bar, so the LED Light bar is adjustable. The mounting bracket can be fixed by screws or magnet.
4 mounting brackets total: 0°, 30°, 45°, 60°**

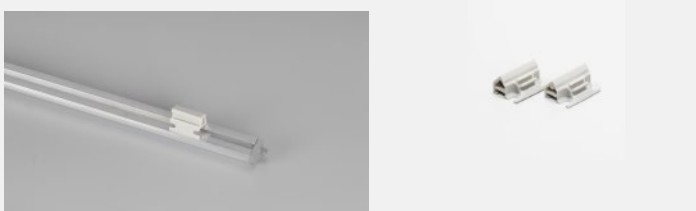
0° mounting brackets



30° mounting brackets



45° mounting brackets



60° mounting brackets

